

磷酸铁锂充电电池规格书

SPECIFICATION FOR LIFEPO4 BATTERY

客户编号 Client No. :	****
电芯型号 Cell Model:	LF48174133-100
组合编号 Pack Model:	*****
组合方式 Pack :	16S1P
组合电压 Voltage :	51.2V
组合容量 Capacity :	100Ah

制定Prepared by	审核Checked by
Smile	Allen Cao
2019-09-19	2019-09-19

客户确认Customer Approval		
部门Dept.	签名Signature	日期Date

地址:深圳龙岗区龙城街道嶂背路 12 号

Add: NO.12, Zhangbei Road, Longcheng , Longgang, Shenzhen, China 518172

电话 Tel: 86-755-8933 5286 传真 Fax: 86-755-2270 5210

网址 Site: www.greenergycn.com, www.grebattery.com

修订记录

Product Modification Record List

版本号Revision	日期Date	标记Mark	修改内容Modified content	审核Approved by
A/0	2019-09-19	/	新发行NEW RELEASE	/

## 1. 使用范围 Scope

本标准只适用于深圳市钜力能科技公司所生产的磷酸铁锂充电电池

This specification only applies to the reference battery in this specification and manufactured by SHENZHEN GREENERGY TECHNOLOGY CO.LTD.

## 2. 主要参数 Rating

项目 Item		参数 Rating	备注 Note
电芯 Cell	电池类型 Type	LiFePO4 Battery	
	电芯型号 Cell Model	LF48174133-100	
	标称容量 Nominal Capacity	100Ah	0.2C 放电 放电截止电压: 2.5V
	最小容量 Minimum Capacity	98Ah	0.2C 放电 放电截止电压: 2.5V
	标称电压 Nominal voltage	3.2V	
	内阻 Internal Impedance	≤2mΩ	
	尺寸 Dimension	Max.48.5x178x135mm	
	重量 Weight	Approx.2.2kg	
电池组 Battery pack	组合方式 Pack Method	16S1P	
	标称容量 Nominal Capacity	100Ah	0.2C 放电
	最小容量 Minimum Capacity	100Ah	0.2C 放电
	标称电压 Nominal Voltage	51.2V	
	能量 Energy	5120Wh	
	充电电压 Charge Voltage	58.4V	
	放电截止电 Discharge cut-off voltage	40V	
	充电方式 Charge Method	CC/CV	
	标准充电电流 Standard Charge Current	20A	
	最大充电电流 Max. Charge Current	50A	
	标准放电电流 Standard Discharge Current	20A	
	最大持续放电电流 Max. Continues Discharge current	50A	
	循环寿命 Cycle Life	2000 times	≥80%
	内阻 Internal Impedance	≤50mΩ	
	尺寸 Dimension	620*693.5*180mm	±5mm
引出线 Output Wire	/		
插头 Output Connector	SC50 红色		
重量 Weight	Approx.65Kg		

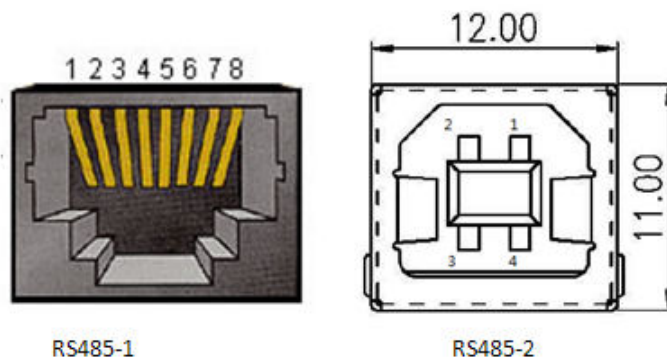
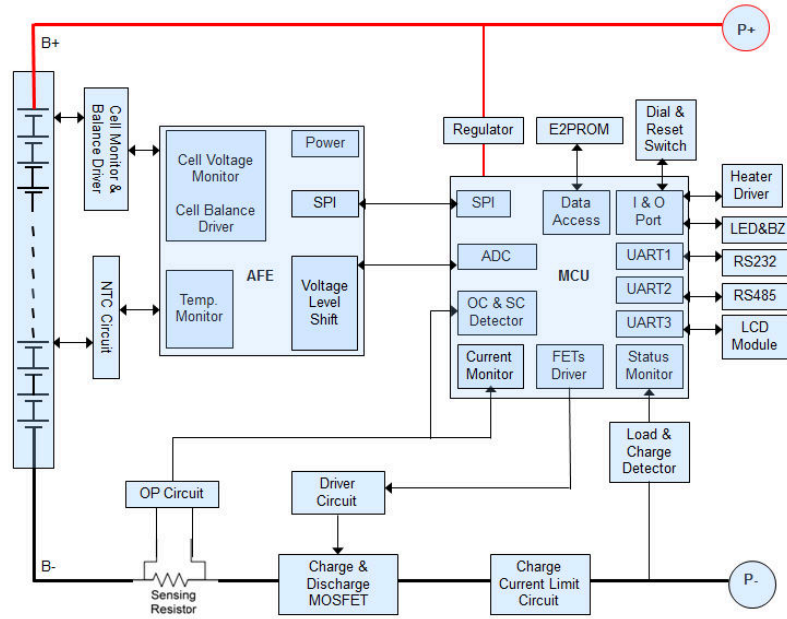
	工作温度范围 Working Temperature Range	充电: 0°C--45°C 放电: -20°C--60°C	
	储存温度 Storage Temperature	-10°C--45°C 45—85%	

### 3. BMS and inverter BMS 和逆变器

#### 3.1 保护板参数 PCM Parameter

No.	Item		Standard
1	充电电流 Charge Current		≤100A
2	放电电流 Discharge Current		≤100A
3	Overcharge	过充保护电压 Over-Charge Detect Voltage	3.70±0.025 V
		过充延时 Over-Charge Delay Time	1.0S
		过充恢复电压 Over-Charge Reset Voltage	3.38±0.05 V
4	Over-discharge	过放保护电 Over-Discharge Detect Voltage	2.50±0.08 V
		过放延时 Over-Discharge Delay Time	1.0S
		过放恢复电 Over-Discharge Reset Voltage	2.90±0.30 V
5	Over-current	过流保护电流 Over-Current Detect Current	105A
		过流延时 Over-Current Delay Time	1.0S
		条件 Reset	Release load
6	Short Circuit	Detect Status	External Short Circuit
		Reset	Release load
7	Thermal Switch		60±5°C
8	Resistance		≤20mΩ
9	Communication		RS485
10	Charge Current Limit		20A(不并机时可取消 Weaver, can be cancelled)

### 3.2 电路原理图 Product Circuit diagram



#### 4. 外观 Appearance

按照此规格书要求，正常储存或操作，电池不应出现破裂、划痕、变形、污迹、电解液泄露等不良现象。It shall be free from any defects such as scratch, distortion, contamination and leakage.

#### 5. 电池性能及测试条件 Performance

##### 5.1 标准测试条件 Standard Test Condition

电池应在到货日期一个月内测试，除非规格书中特别注明，本规格书规定的测试条件为：温度:20±5℃,相对湿度:65±20%,标准充电后，20A 放电到截止电压的容量，为电池的标准容量，允许 5 次循环，其中一次达到最小容量即为合格

The battery shall be evaluated within 1 month from the arrival date.

Unless otherwise stated in these specifications, the following test shall be carried out in an ambient temperature of 20±5℃, relative humidity of 65±20%

Discharge capacity when the battery is discharged at 20A to 40V after being standard charged. Five cycles are permitted for this test. The test shall be terminated at the end of the first cycle which meets the requirement.

##### 5.2 测试仪器 Testing Instrument or Apparatus

###### 5.2.1 尺寸测量工具 Dimension Measuring Instrument

测量尺寸的仪器精度应大于等于 0.01mm.

The dimension measurement shall be implemented by instruments with equal or more precision scale of 0.01mm specified.

### 5.2.2 万用表和安培计 Voltmeter and Ammeter

测量电池电压时万用表内阻应大于 10KΩ/V，电流表及电线在内的总内阻应小于 0.01Ω。

Voltmeters and ammeters shall be equal or more precision instruments of 10KΩ/V and 0.01Ω.

### 5.2.3 内阻仪 Impedance Meter

内阻测试仪测试原理应为交流阻抗法(1kHz LCR)

Impedance shall be measured by a sinusoidal alternating current method (1kHz LCR meter)

### 5.3 标准充电 Standard Charge

锂离子电池专用充电器 58.4V/20A，充电时间约 6 小时

Standard charge means charging for 6hours using 58.4V/20A charger

### 5.4 标准放电 Standard Discharge

电池以 20A 恒流放电到截止电压

Standard discharge means discharging at 20A down to 40V

### 5.5 电池性能 Electrical Performance

名称 Item	测试方法及条件 Condition	要求 Specification
开路电压 Open-Circuit Voltage	标准充电后，24 小时内测量的开路电压 The open-circuit voltage shall be measured within 24hours after standard charge	≥52.8V
电池容量 Battery Capacity	标准充电后,搁置 1 小时,然后用 20A 电流放电至截止电压，记录放电时间 The discharge time at 20A shall be measured after standard charge at 20±5℃ and rest 30mins	≥100%
循环寿命 Cycle Life	在 20±5℃ 状态下,用 20A 恒流充电至充电电压,再恒压直至充电电流≤0.02C; 搁置 1 小时,再用 20A 电流放电至截止电压; 又搁置 1 小时,循环 2000 次,记录放电时间 The discharge time on standard discharge shall be measured after 2000 cycles of standard charge and discharge at 20±5℃	≥80%
荷电保持能力 Charge(capacity) retention	在 20±5℃ 状态下,标准充饱电后,电芯搁置 28 天,然后用 20A 放电至截止电压,记录放电时间 The discharge time at 20A shall be measured after standard charge and then storage at 20±5℃ for 28days	≥80%
温度性能 1 Temperature Characteristic1	标准充电后,在 55±2℃ 条件下贮存 5h,然后用 20A 放电至截止电压,记录放电时间 After standard charging at 20±5℃, laying the battery at 55℃ for 5hour, then discharge at 20A to 40V, record the discharge time	≥80%
温度性能 2 Temperature Characteristic2	标准充电后,在 -10±2℃ 条件下贮存 4h,然后用 20A 放电至截止电压,记录放电时间 After standard charging at 20±5℃, laying the battery at -10℃ for 4hour, then discharge at 20A to 40V, record the discharge time	≥60%

## 6. 机械性能 Mechanical Performance

名称 Item	测试条件 Condition	要求 Specification
挤压测试 Crush Test	<p>将电池放在平板间进行挤压，其压力通过一个直径位 32mm 的液压缸进行施压，直到压力达到 17.2Mpa,施加的压力为 13KN,当达到压力后泄压</p> <p>A battery is to be crushed between two flat surfaces. The force for the crushing is to be applied by a hydraulic ram with a 32mm diameter piston. The crushing is to be continued until a pressure reading of 17.2mmPa is reached on the hydraulic ram, applied force of 13kN. Once the maximum pressure has been obtained it is to be released.</p>	<p>不起火，不爆炸</p> <p>No fire, No explosion</p>
跌落测试 Drop Test	<p>将电池样品由高度 1m 的位置自由跌落到置于水泥地面上的钢板上，并从圆柱电池的两个轴向正负方向(四个方向)每个方向自由跌落 1 次</p> <p>The battery has only two axes of symmetry in which case only two directions shall be tested. The battery is to be dropped from a height of 1 meter twice onto concrete ground.</p>	<p>不爆炸，不起火，不冒烟</p> <p>No explosion, No fire, No smoke</p>
振动测试 Vibration	<p>将充满电后的电池固定在振动台上，沿 X,Y,Z 三个方向各振动 30 分钟,振幅 1.6mm</p> <p>A full-charged battery is to be subjected to simple harmonic motion with an amplitude of 1.6mm total maximum excursion. The frequency is to be varied at the rate of 1 hertz per minute between 10 and 55 hertz. The cell shall be vibrated for 30 minutes per axis o XYZ axes.</p>	<p>不漏液，不起火，不爆炸</p> <p>No leakage, No Fire, No explosion</p>

## 7. 电芯安全性能 Cell Safety Performance

名称 Item	测试条件 Condition	要求 Specification
过充电测试 Over charge	<p>在 <math>20 \pm 5^\circ\text{C}</math> 状态下, 电池用 1C 电流充电至 4V, 然后恒压 4V 让电流下降接近为 0A, 监视电池温度变化, 当电池温度下降一峰值低约 <math>10^\circ\text{C}</math> 时, 停止实验.</p> <p>At <math>20 \pm 5^\circ\text{C}</math>, charging battery with constant current 1C to voltage 4V, then with constant voltage 4V till current decline to 0.</p>	<p>不冒烟, 不起火</p> <p>No explosion, No fire</p>
过放电测试 Over discharge	<p>.在 <math>20 \pm 5^\circ\text{C}</math> 状态下, 按标准放电的要求放电至终止电压后, 外接 <math>30\text{m}\Omega</math> 负载放电 24 小时.</p> <p>At <math>20 \pm 5^\circ\text{C}</math>, according to the requirement of the standard of discharge after discharge to termination voltage, <math>30\text{m}\Omega</math> external load discharge within 24 hours.</p>	<p>不起火, 不冒烟, 不漏液</p> <p>No explosion, No fire</p>
短路测试 Short-circuit	<p>在 <math>20 \pm 5^\circ\text{C}</math> 状态下, 标准充电后, 将电池的正负极用一根小于 <math>50\text{m}\Omega</math> 的导线连接, 放置 6 小时.</p> <p>At <math>20 \pm 5^\circ\text{C}</math>, Standard charge, across the electrodes of the battery with a less than <math>50\text{m}\Omega</math> wire connection, 6 hours</p>	<p>不爆炸的, 不起火</p> <p>表面的温度低于 <math>150^\circ\text{C}</math></p> <p>No explosion, No fire The temperature of the surface of the cell are lower than <math>150^\circ\text{C}</math></p>

加热测试 Heating	将电池放置在真空箱中，以每分钟 $5\pm 2^{\circ}\text{C}$ 频率加热，一直到 $130^{\circ}\text{C}$ ，放置 30 分钟 Battery is heated in a circulating air oven at a rate of $5\pm 2^{\circ}\text{C}$ per mins to $130^{\circ}\text{C}$ , an then placed 30 mins at $130^{\circ}\text{C}$	不起火,不冒烟 No explosion, no fire
--------------	--	----------------------------------

8. 出货带电量 Delivery Conditon

正常情况下，电池出厂前带电量 20-50%，如有特殊要求，需提出后确认，出货电压：52-53.44V

Approx. 20-50% charged

Shipment voltage: 52-53.44V




9. 组合图纸 Pack Drawing



备注 Remarks:

1. 尺寸 dimension: 620\*693.5\*180mm (±5mm)

<b>GRE Model</b>	*****			
<b>File No.</b>	*****		<b>Signature</b>	<b>Date</b>
<b>Revision</b>	A0	<b>Drawed by</b>	Smile	2019-09-19
<b>Unit</b>	mm	<b>Checked by</b>	Allen Cao	2019-09-19

## 10. 警告 Warnings

为防止电池可能发生的泄漏,发热,起火,请注意以下预防措施:

To prevent the possibility of the battery from leaking, heating, fire, Please READ this specification carefully before usage and observe the following precautions:

◎ **充电时请选用磷酸铁锂电池专用充电器。**

- ◎ 电池外包装膜易被镍片,尖针等尖锐部件损伤,禁止用尖锐部件碰伤电池
- ◎ 严禁将电池浸入海水或水中.
- ◎ 禁止将电池在热高温源旁,如火,加热器等使用设备.
- ◎ 禁止颠倒正负极使用电池
- ◎ 禁止将电池直接接入电源插座
- ◎ 禁止将电池丢入火或加热器中
- ◎ 电池极耳的机械强度不坚固,特别是铝极耳,禁止弯折.
- ◎ 禁止用金属直接将电池的正负极进行短路连接
- ◎ 禁止将电池与金属,如发夹,项链等一起运输或贮存
- ◎ 禁止敲击或抛掷,踩踏电池等.
- ◎ 禁止直接焊接电池和用钉子或其它利器刺穿电池.

◎ **When recharging, use the LiFePO4 battery charger specifically for that purpose**

- ◎ Do not strike battery with any sharp edge parts, such as Ni-tabs, pins and needles
- ◎ Do not immerse the battery in water and seawater
- ◎ Do not use and leave the battery near a heat source as fire or heater
- ◎ Do not reverse the position and negative terminals
- ◎ Do not connect the battery to an electrical outlet
- ◎ Do not discard the battery in fire or heat it
- ◎ The battery tabs are not so stubborn especially for aluminum tab. Do not bend tab.
- ◎ Do not short-circuit the battery by directly connecting the positive and negative terminal with metal object.
- ◎ Do not transport and store the battery together with metal objects such as necklaces, hairpins etc.
- ◎ Do not directly solder the battery and pierce the battery with a nail or other sharp object.

## 11. 电池操作说明 Battery operation instruction

### 11.1 充电

**Charging 充电电流:** 不能超过规格书规定的最大的充电电流

**充电电压:** 不能超过规格书规定的最高的限制电压

**充电温度:** 电池充电温度必须按照规格书的温度范围执行

先恒流后恒压方式充电, 禁止颠倒的方式充电。如果电池正负极颠倒充电会带来危险。

**Charging current:** Do not surpass the biggest charging current which in this specification.

**Charging voltage:** Do not surpass the highest voltage which in this specification.

**Charge temperature:** The charge temperature is in according to this specification.

### 11.2 放电电流 Discharging

电池放电电流不能超过规格书规定的最大放电电流,  
过大的电流放电会造成电池发热和容量衰减。

电池放电温度必须按照规格书的温度范围执行

Discharge current: Do not surpass the biggest discharge current which in this specification.

Discharge voltage: Do not be less than the lowest voltage which is in this specification.

Discharge temperature: The discharge temperature is in according to this specification,

### 11.3 过放电 Over-discharges

短时间的过充过放不影响电池的使用，但是长时间的过放电会影响到电池的功能失效，电池永久性不能适用，可能电池过放还有一个原因是自动能量的消失。预防电池过放的出现方法电池应保持一定的电量。

After the short time excessively discharges charges immediately cannot affect the use, but the long time excessively discharges can cause the battery the performance, battery function losing. The battery long-term has not used, has the possibility to be able to be at because of its automatic flashover characteristic certain excessively discharges the condition, for prevented excessively discharges the occurrence, the battery should maintain the certain electric quantity.

### 11.4 贮存电池 Storing the Batteries

**电池贮存在规格书规定的温度范围内，如果电池贮存超过三个月，建议你开始给电池充电。**

**The battery should store in the product specification book stipulation temperature range. If has surpasses above for 3 months the long time storage, suggested you should carry on additional charge to the battery.**

11.5 连续充电时间不能超过 8 个小时.

Please do not continuously charge the battery over 8hours.

## 12. 其他事项 Others

◎ 客户若需要将电池用于超出文件规定以外的设备，或在文件规定以外的使用条件下使用电池，应事先联系钜力能科技，因为需要进行特定的实验测试以核实电池在该使用条件下的性能及安全性。

◎ 对于在超出文件规定以外的条件下使用电池而造成的任何意外事故，钜力能科技概不负责。

◎ 如有必要，钜力能科技会以书面形式告之客户有关正确操作使用电池的改进措施。

◎ 任何本说明书中未提及的事项，须经双方协商确定

◎ The customer is requested to contact GREENERGY in advance, if and when the customer needs other applications or operating conditions than those described in this document. Additional experimentation may be required to verify performance and safety under such conditions.

◎ GREENERGY will take no responsibility for any accident when the battery is used under other conditions than those described in this Document.

◎ GREENERGY will inform, in a written form, the customer of improvement(s) regarding proper use and handing of the battery, if it is deemed necessary.